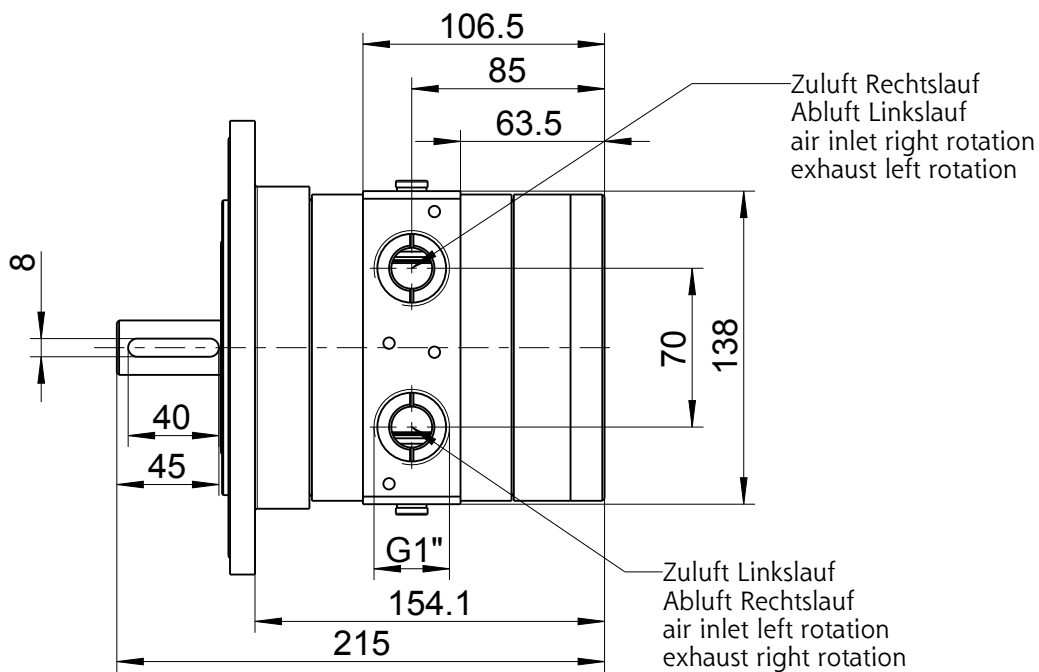
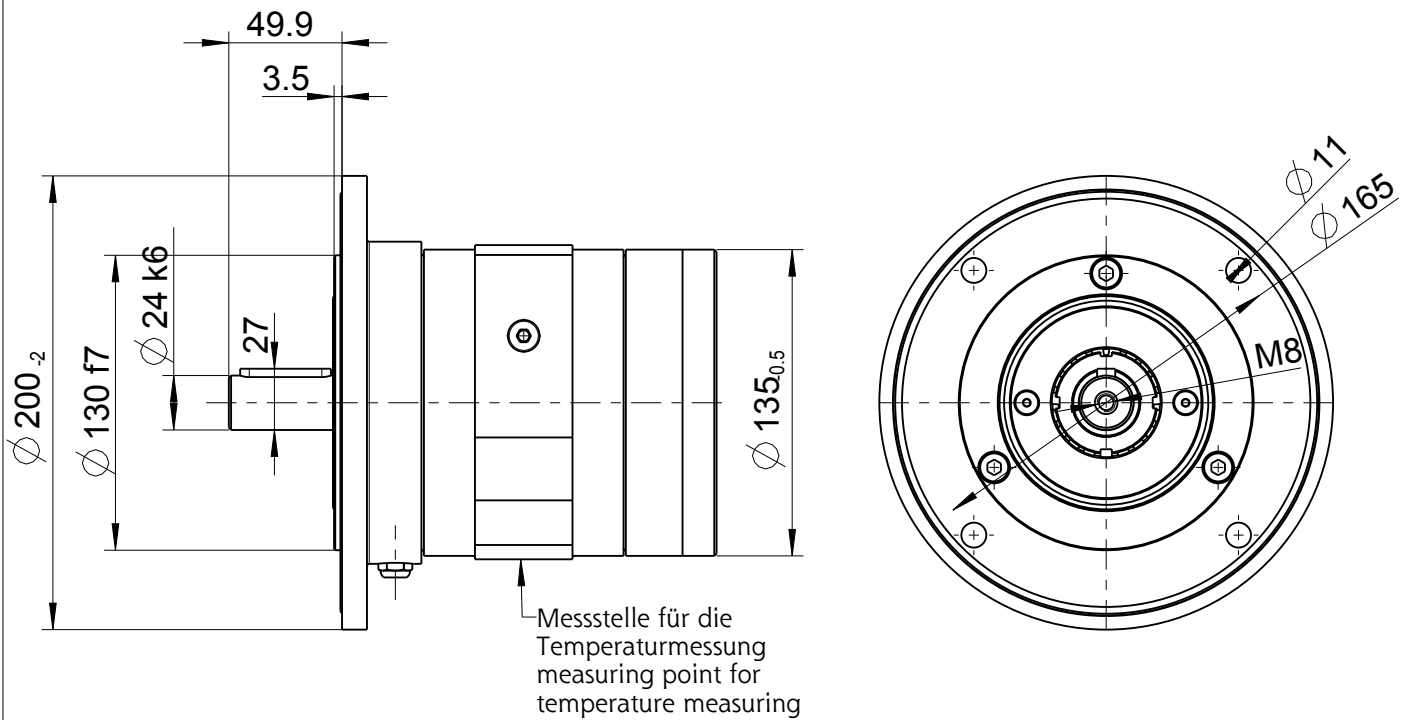


# 68X-001F13/15/IEC90-VA

## 116653 MASSBLATT / DIMENSION SHEET



Typ / type	<b>DEPRAG</b>	MASSBLATT / DIMENSION SHEET				
68X-001F13/15/IEC90-VA		116653	<table border="1"> <tr> <td>drw</td> <td></td> </tr> <tr> <td>asm</td> <td>1.0</td> </tr> </table>	drw		asm
drw						
asm	1.0					