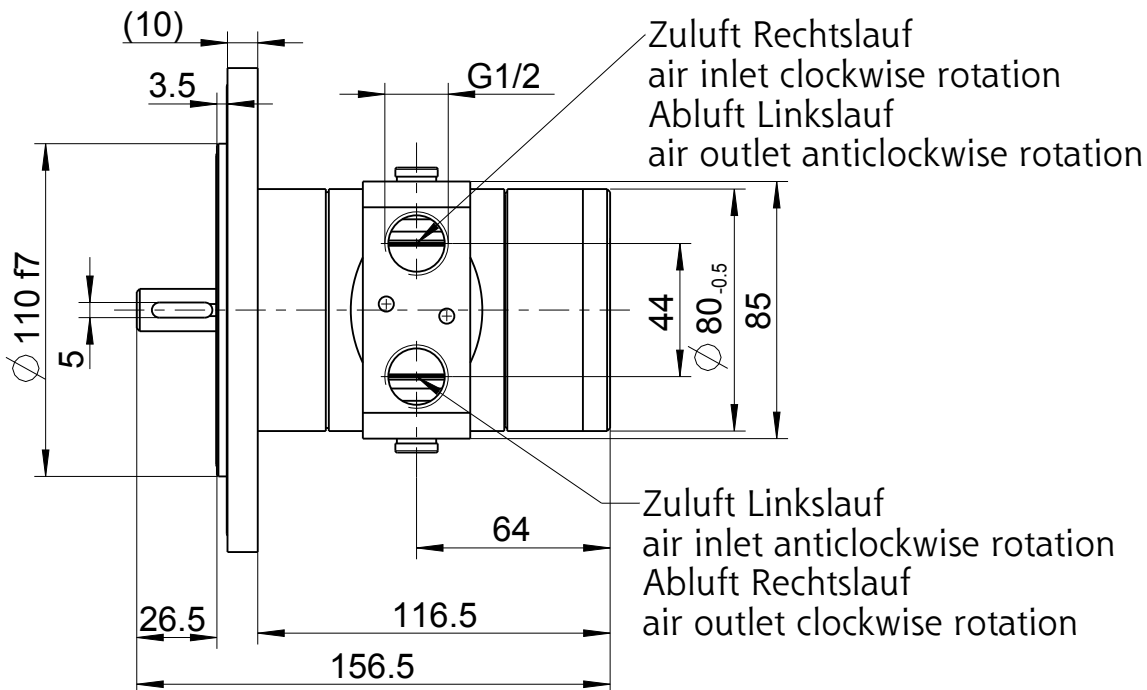
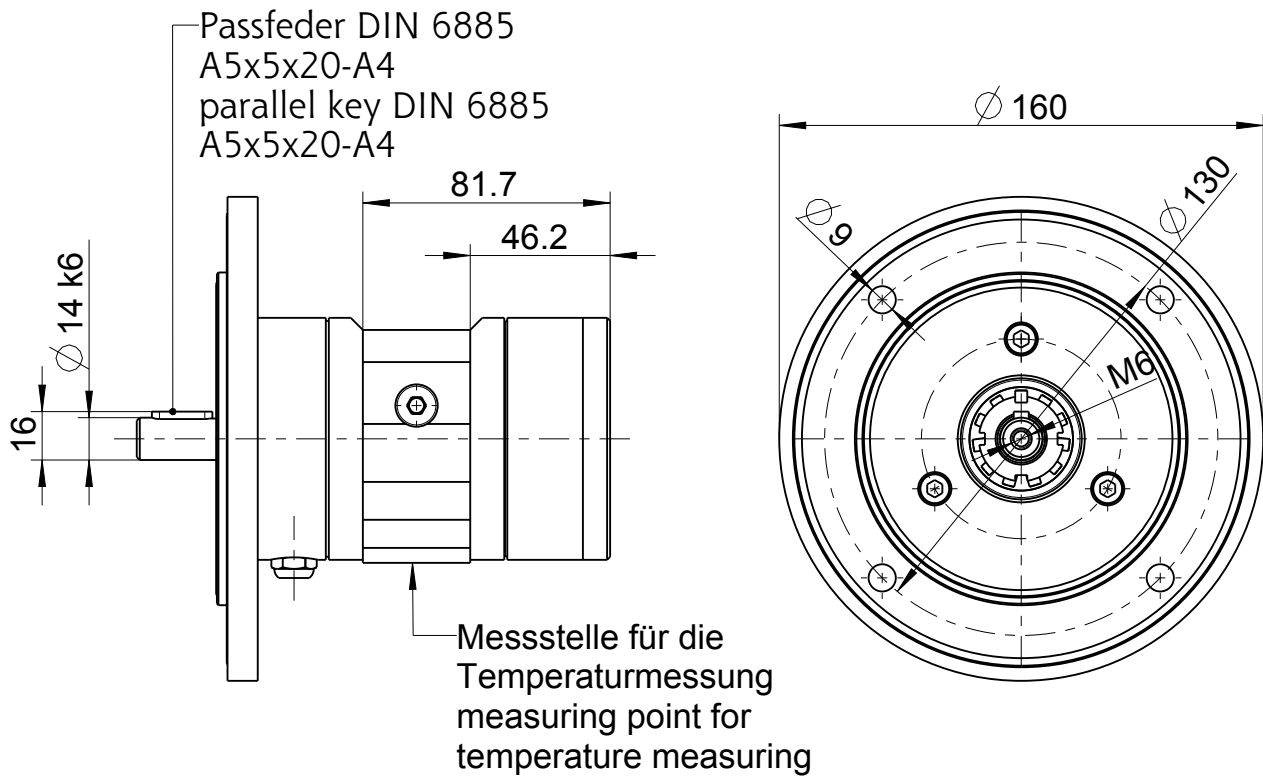


68X-001F09/IEC71-VA

116617 MASSBLATT / DIMENSION SHEET



| | | | | | | |
|---------------------|---------------|-----------------------------|---|-----|-----|-----|
| Typ / type | DEPRAG | MASSBLATT / DIMENSION SHEET | | | | |
| 68X-001F09/IEC71-VA | | 116617 | <table border="1"> <tr> <td>drw</td> <td>1.0</td> </tr> <tr> <td>asm</td> <td>1.0</td> </tr> </table> | drw | 1.0 | asm |
| drw | 1.0 | | | | | |
| asm | 1.0 | | | | | |