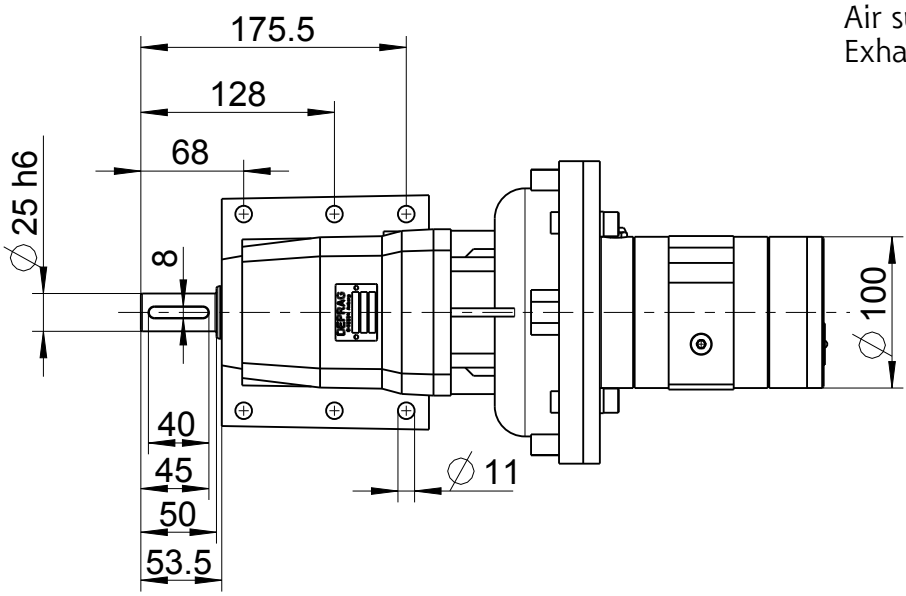
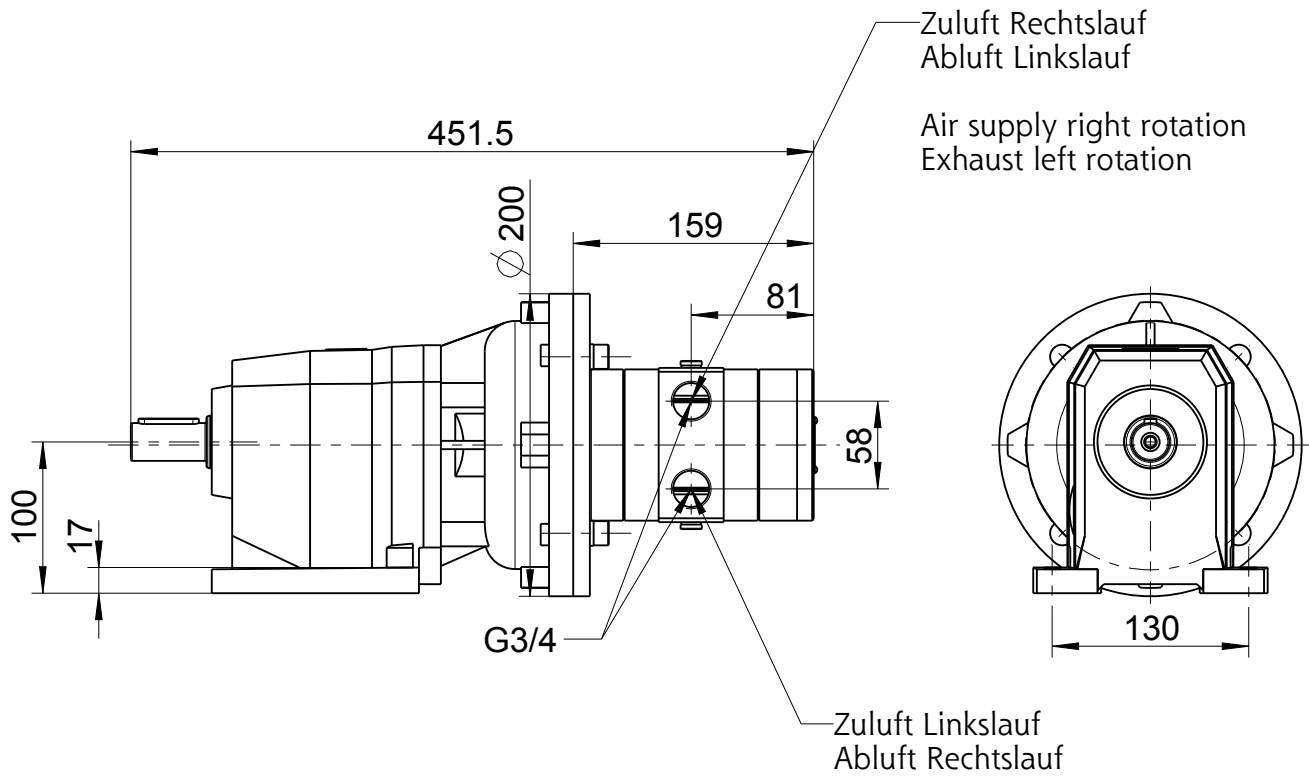


68-S010K-0**-11

107770 MASSBLATT / DIMENSION SHEET



| |
|-----------------|
| Typ / type |
| 68-S010K-0**-11 |



| | |
|-----------------------------|-----|
| MASSBLATT / DIMENSION SHEET | |
| 107770 | |
| drw | 1.1 |
| asm | 1.1 |