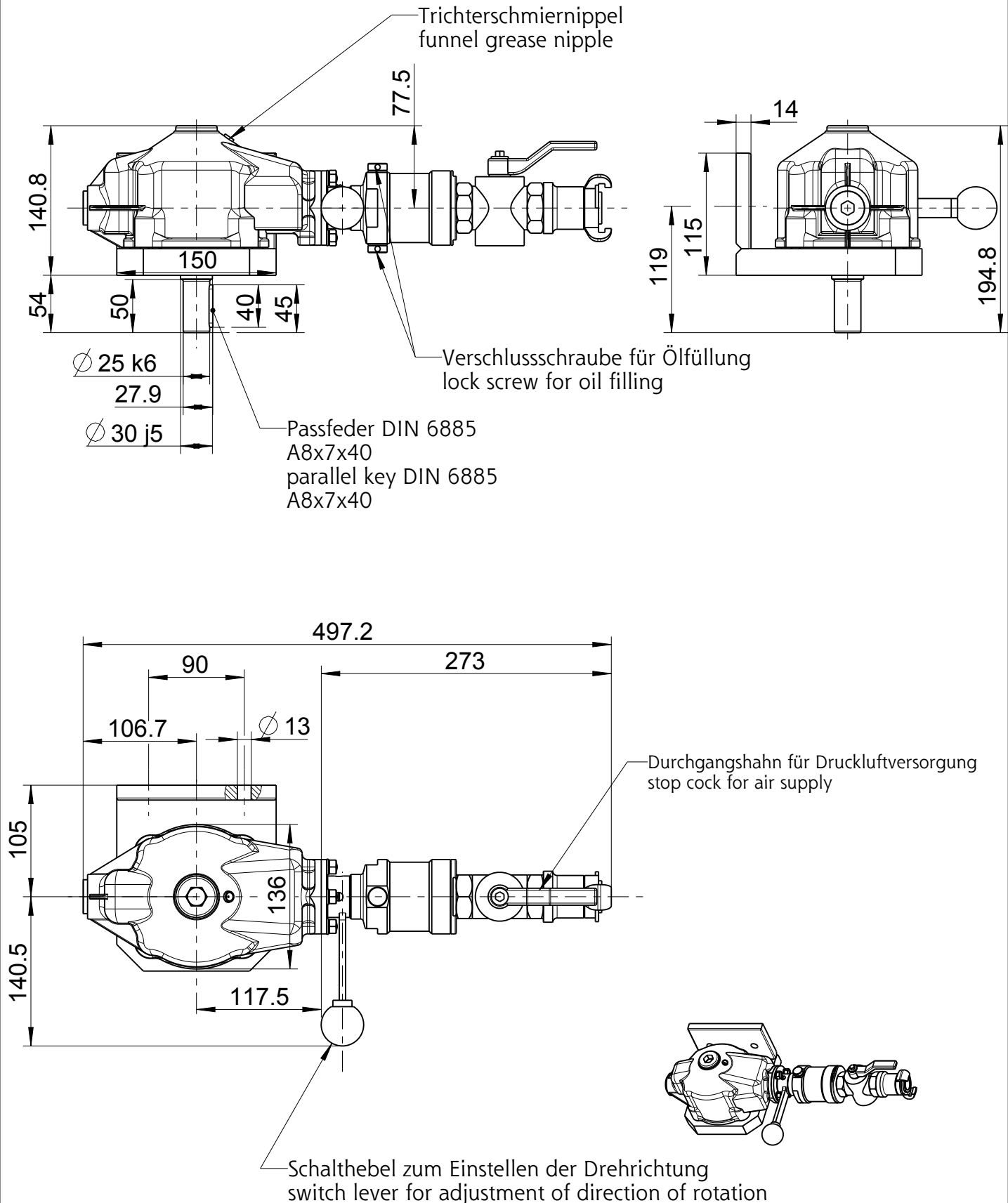


# KM32SU

## 107683 MASSBLATT / DIMENSION SHEET



Typ / type  
KM32SU

**DEPRAG**

MASSBLATT / DIMENSION SHEET  
107683

drw	1.1
asm	1.1+